

## Stainless Steel-Insert bushings

for round tube and square tube

### SPECIFICATION

Stainless Steel AISI 303

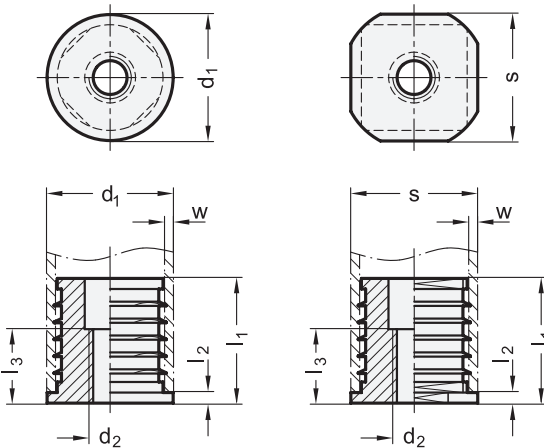
### INFORMATION

Drive the Stainless Steel-Insert bushings GN 992.5 in by using a soft-head mallet. Their lamellas bridge a production tolerance of the internal diameter or of the internal square of  $\pm 0.5$  mm, allowing screws to be mounted in tubes.

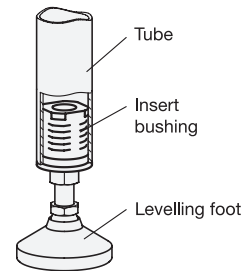
The dimensions match those of the construction tubes GN 990 (see page 1902), but checking the tolerance position of the tube is recommended.

### TECHNICAL INFORMATION

- Stainless Steel characteristics (see page A26)



### Application example



### GN 992.5-D

STAINLESS STEEL

Description	d1	d2	l1	l2	l3 +0.5	w	For tube GN 990	△
GN 992.5-D20-M8	D 20	M 8	29.5	2.5	16	2	D 20	28
GN 992.5-D25-M8	D 25	M 8	33.5	2.5	16	2	D 25	80
GN 992.5-D25-M10	D 25	M 10	33.5	2.5	16	2	D 25	50
GN 992.5-D30-M8	D 30	M 8	33.5	2.5	18	2	D 30	93
GN 992.5-D30-M10	D 30	M 10	33.5	2.5	18	2	D 30	90
GN 992.5-D40-M10	D 40	M 10	41.5	2.5	24	3	D 40	186
GN 992.5-D40-M12	D 40	M 12	41.5	2.5	24	3	D 40	180
GN 992.5-D50-M12	D 50	M 12	45.5	2.5	30	3	D 50	350
GN 992.5-D50-M16	D 50	M 16	45.5	2.5	30	3	D 50	330

### GN 992.5-V

STAINLESS STEEL

Description	s1	d2	l1	l2	l3 +0.5	w	For tube GN 990	△
GN 992.5-V20-M8	V 20	M 8	29.5	2.5	16	2	V 20	32
GN 992.5-V25-M8	V 25	M 8	29.5	2.5	16	2	V 25	61
GN 992.5-V25-M10	V 25	M 10	29.5	2.5	16	2	V 25	58
GN 992.5-V30-M8	V 30	M 8	29.5	2.5	18	2	V 30	106
GN 992.5-V30-M10	V 30	M 10	29.5	2.5	18	2	V 30	103
GN 992.5-V40-M10	V 40	M 10	33.5	2.5	24	3	V 40	216
GN 992.5-V40-M12	V 40	M 12	33.5	2.5	24	3	V 40	211
GN 992.5-V50-M12	V 50	M 12	37.5	2.5	30	3	V 50	420
GN 992.5-V50-M16	V 50	M 16	37.5	2.5	30	3	V 50	390